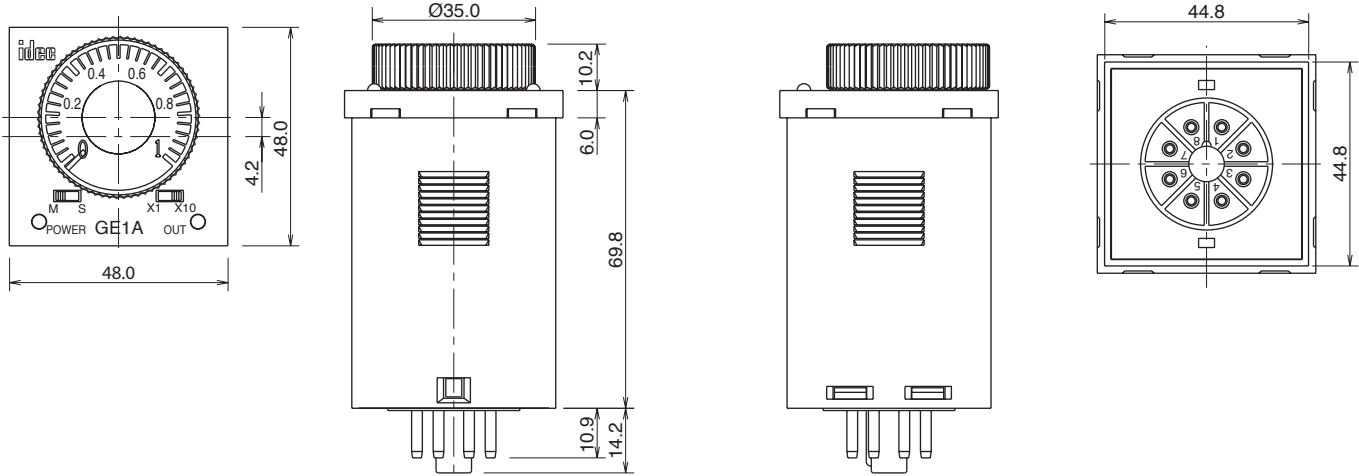
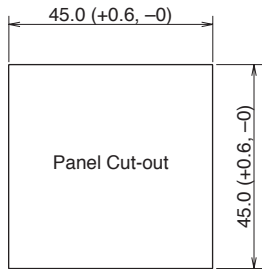


Dimensions

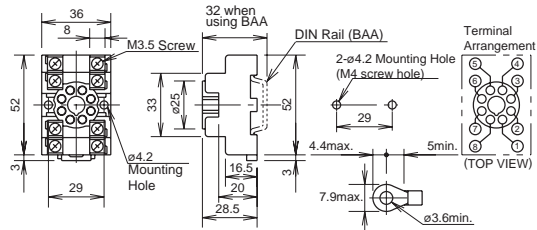
GE1A Timer



GE1A Timer Panel Cutout



8-Pin SR2P-05



8-Pin SR2P-06

